

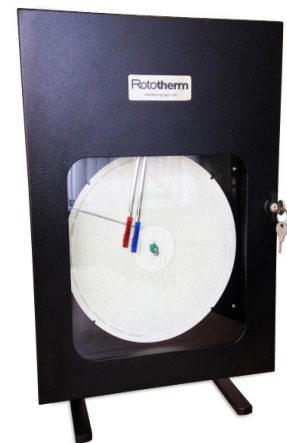
# 12" Mechanical Chart Recorders

Model: Clearscan (Pressure & Temperature)

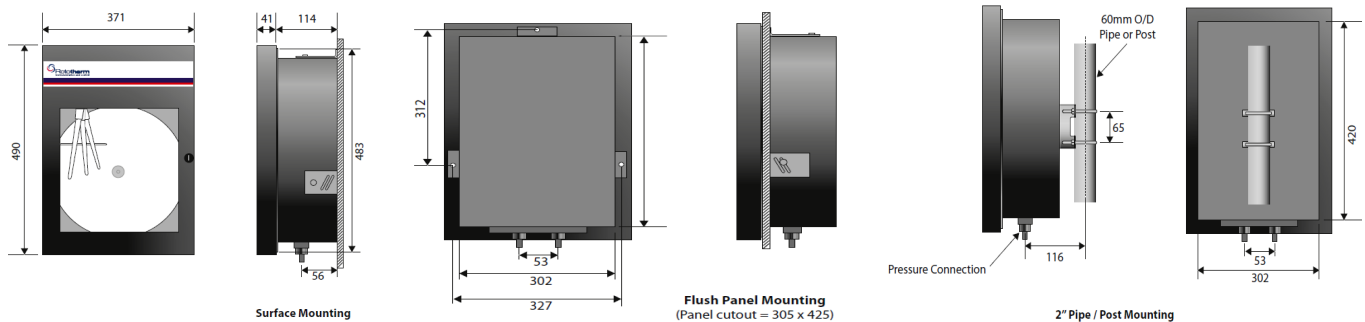
Our *Clearscan* 12" mechanical chart recorder (1 or 2 pens) is a **low maintenance** instrument, built for **rugged** conditions and designed for **flexibility**, with **interchangeable** pressure and temperature systems, which can be installed and calibrated **simply** and **quickly**, **maximising** your productivity.

## General Specification

<b>Operation:</b>	Fully mechanical – No electrical Power required
<b>Case:</b>	Steel case epoxy powder coated black, acrylic window (Stainless Steel case available for offshore applications)
<b>Chart:</b>	12" (300mm) circular chart – 0 to 100 linear charts as standard (Custom charts available on request)
<b>Chart drive:</b>	Standard Mechanical Single Speed 24 h. (Other options available)
<b>Mounting:</b>	Wall, 2" Pipe, Panel or Portable
<b>Pens:</b>	Disposable fibre tipped pens
<b>Standard Pressure System:</b>	316 SS with 1/4" NPT or 1/2" NPT male/female
<b>Standard Temperature System:</b>	3 m. flexible SS capillary with ANSI 11/16" SS bulb c/w 1/4" x 10" extension & 1/2" NPTM
<b>Accuracy:</b>	Class 1 ( $\pm 1\%$ FSD)
<b>Ambient temperature:</b>	-20°C to +50°C
<b>Weight:</b>	10 – 15 kg
<b>Dimensions:</b>	Door 370 x 490 mm / Panel cut out 305 x 425 mm
<b>Interchangeability:</b>	Temperature & Pressure Systems
<b>Calibration:</b>	Certificates from UKAS Traceable lab (Available on request)
<b>Extras:</b>	High Pressure Autoclave (for pressure above 1000 bar) / Chain & Catch to prevent loss of chart knob



Clearscan Model

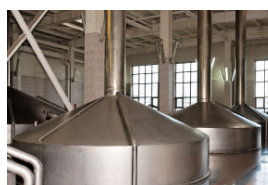


## Main Applications

A **world leader** in temperature gauges, Rototherm has become the standard for accurate and reliable measurement across the following industries:



Mains Water Pressure Recording



Beverage Pressure Temperature Recording



On/Offshore Environments & Refining



Wellhead Pressure Recording



Heating & cooling Systems & Pipework

### Ordering Information

Clearscan Recorder	STANDARD →	*any model	W	M1
<b>Model</b>	1 pen Temperature	CT1		
	2 pen Temperature	CT2		
	1 pen Pressure	CP1		
	2 pen Pressure	CP2		
	1 pen Temperature & 1 pen Pressure	CPT		
<b>Mounting</b>	Wall / Panel with Bottom Connection		W	
	Portable / Rear connection		S	
	2" Pipe or Post / Bottom Connection		P	
	Panel / Rear Connection		R	
<b>Chart Drive</b>	24 h. Mechanical Single Rotation			M1
	2 h. Mechanical Single Rotation			M2
	7 day Mechanical Single Rotation			M3
	24 h. & 7 day Mechanical Dual Rotation			D4
	24 h. Multispeed Battery			Q5

Please continue here for pressure system coding options...

(Temperature system on next page)

### Ordering Information

Pressure System	STANDARD →		Choose a Bar or PSI range		C1
<b>Pressure Range</b> <i>(For non-standard ranges, please contact us)</i>	0 to 4 bar	0 to 60 psi	B00004	P00060	
	0 to 6 bar	0 to 100 psi	B00006	P00100	
	0 to 10 bar	0 to 150 psi	B00010	P00150	
	0 to 15 bar	0 to 200 psi	B00015	P00200	
	0 to 16 bar	0 to 250 psi	B00016	P00250	
	0 to 20 bar	0 to 300 psi	B00020	P00300	
	0 to 25 bar	0 to 400 psi	B00025	P00400	
	0 to 35 bar	0 to 500 psi	B00035	P00500	
	0 to 40 bar	0 to 600 psi	B00040	P00600	
	0 to 50 bar	0 to 750 psi	B00050	P00750	
	0 to 60 bar	0 to 800 psi	B00060	P00800	
	0 to 70 bar	0 to 1000 psi	B00070	P01000	
	0 to 100 bar	0 to 1500 psi	B00100	P01500	
	0 to 150 bar	0 to 2000 psi	B00150	P02000	
	0 to 160 bar	0 to 2500 psi	B00160	P02500	
	0 to 200 bar	0 to 3000 psi	B00200	P03000	
	0 to 250 bar	0 to 4000 psi	B00250	P04000	
	0 to 350 bar	0 to 5000 psi	B00350	P05000	
	0 to 400 bar	0 to 6000 psi	B00400	P06000	
	0 to 550 bar	0 to 7500 psi	B00550	P07500	
0 to 600 bar	0 to 8000 psi	B00600	P08000		
0 to 700 bar	0 to 10000 psi	B00700	P10000		
0 to 800 bar	0 to 15000 psi	B00800	P15000		
0 to 1000 bar	0 to 20000 psi	B01000	P20000		
0 to 1500 bar	0 to 25000 psi	B01500	P25000		
0 to 2000 bar	0 to 30000 psi	B02000	P30000		
<b>Process Connection</b>	1/4" NPT Female				C1
	1/2" NPT Male				C2
	1/4" HP 9/16" UNF-18 Female				C3
	3/8" BSP Male				C4
	3/8" BSPT Male				C5

Please repeat same ordering system for Pen 2 (if required)

### Ordering Information

Temperature System	STANDARD →	T060	1	X	03
Standard Ranges	0 to 100 deg C	T100			
	0 to 60 deg C				
	0 to 150 deg C	T060			
	0 to 200 deg C	T150			
	(For non-standard ranges, please contact us)	T200			
Bulb Type	301 Plain Bulb 12.7mm diameter		1		
	303 Extended Bulb c/w gland 12.7mm diameter		3		
	ANSI Ø11/16"bulb c/w 1/2" NPT gland		4		
Process Connection	No gland			X	
	1/2" NPT Male			N	
	1/2" BSP Male			B	
	1/2" BSPT Male			R	
Capillary Length	3 m.				03
	10 m.				10

Please repeat same ordering system for Pen 2 (if required)

### Technical Certification

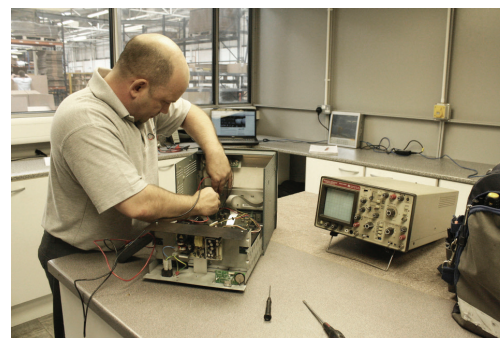
- Certificate of conformity
- Factory Test Certificate
- Factory Calibration Certificate (3 point)
- Factory Calibration Certificate (5 point)
- Material Certificate

### Export Documentation

- Certificate of Origin
- EUR1
- ATR

### Calibration and After-Sales Support

- Fully trained field service personnel
- Use of UKAS certified calibration equipment
- 5 day turnaround
- Fixed pricing
- Approved manufacturer parts
- Full post-service reports
- 12 month warranty



For more information, please contact our service team [services@rototherm.co.uk](mailto:services@rototherm.co.uk)